

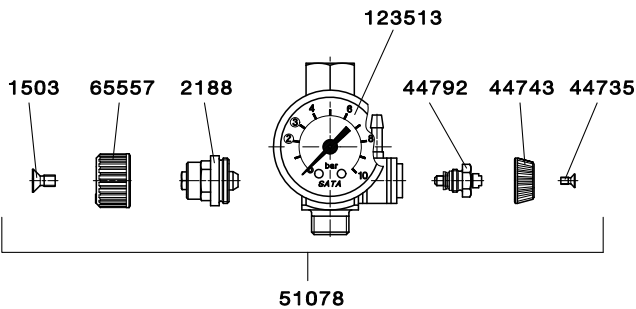
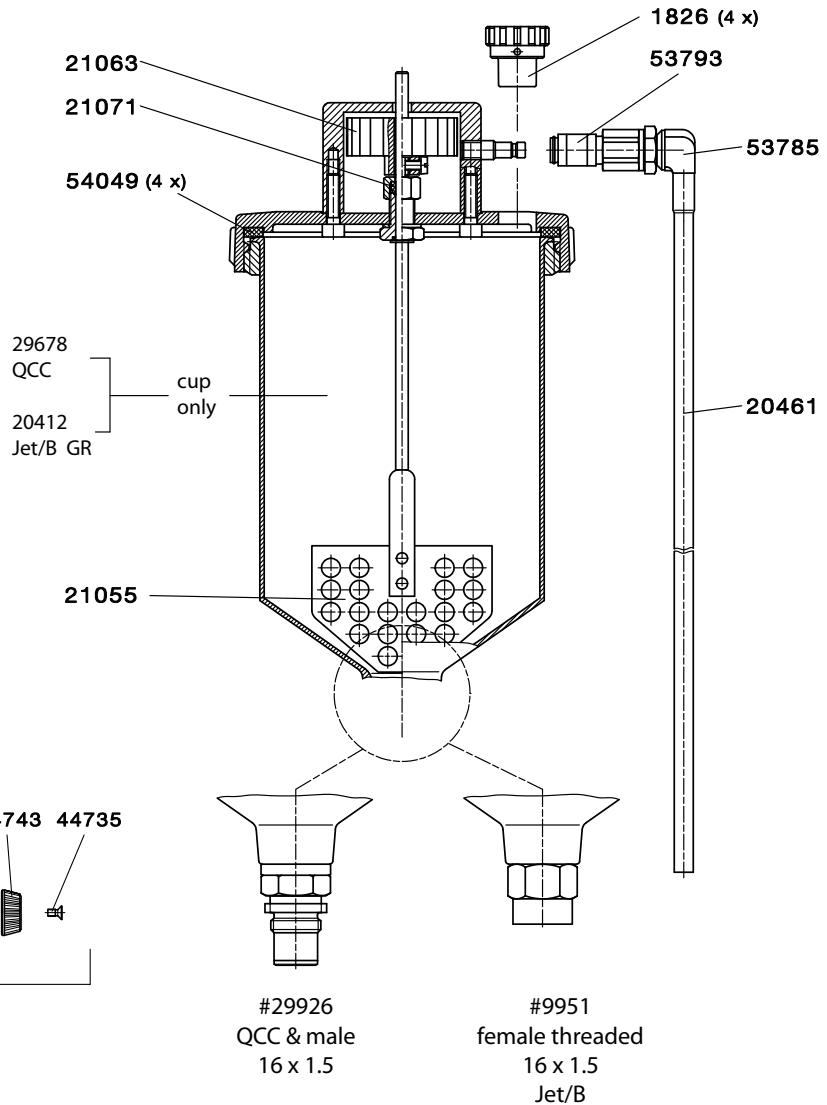
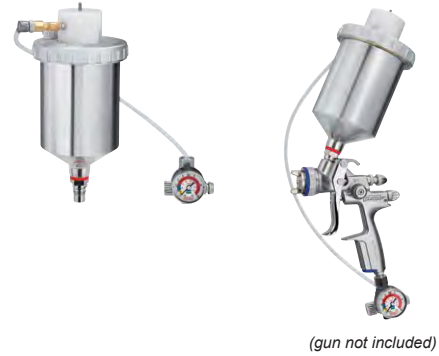
SATA® Agitator Cup

SATA agitator cup

9951	SATA agitator cup, female thread (on cup), 16 x 1.5, complete with regulator, for jet B, GR/B-92
29926	SATA agitator cup, QCC, 16 x 1.5, complete with regulator for SATAjet 3000, jet 2000 HVLP, Jet RP, jet 1000, LM 2000

Part No./Description

1503	Countersunk screw M4 x 8 DIN 965, stainless steel, for micrometer round/flat spray control
1826	Anti-drip device (4x)
123513	Gauge, 0-145 PSI, SCAQMD face
2188	Air control for agitator regulator
20412	Cup only Jet/B GR
20461	Plastic air hose for BVD and agitator cup
21055	Agitating paddle for agitator cup
21063	Driving wing, cpl. with screw
21071	Gasket agitating vane, agitator cup
29678	Cup only QCC
44735	Countersunk screw, M 2.5 x 5 DIN 965
44743	Control knob
44792	Spindle
51078	Reg. Complete (for agitator cup)
53785	Angle screw socket, LCN-1/8-PL-4, f.
53793	Coupling with inner thread G 1/8 for SATA BVD
54049	Sealing ring (4x)
65557	Control knob



Technical modifications and printing errors reserved