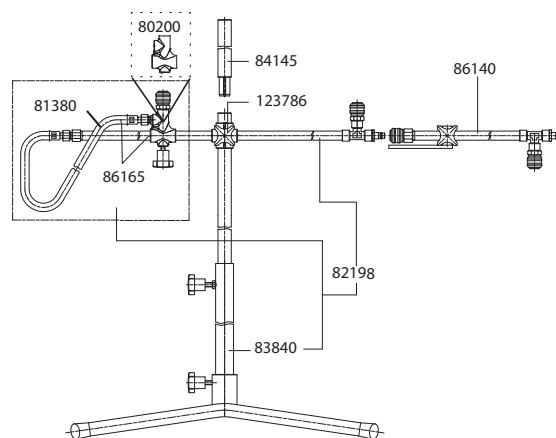


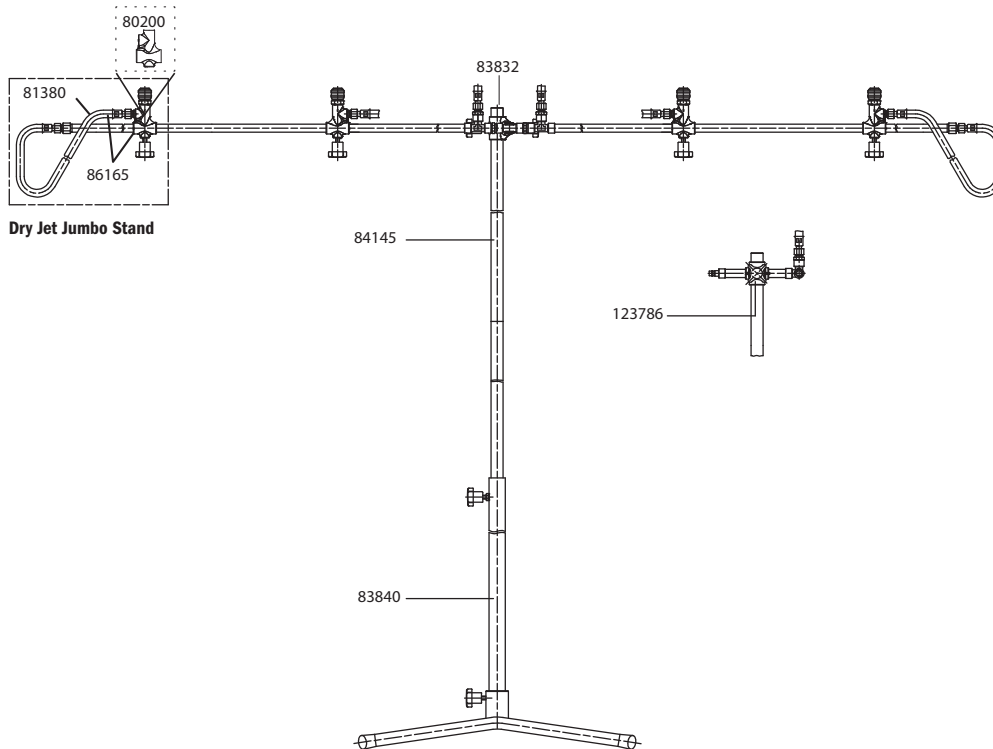
Spare Parts SATA® dry jet™ Stand

Order No./Desc.
80200 Connection, dry-jet S
81380 Hose only, Sata dry-jet adjustment mount
82198 Stand w/o blow guns
83832 Cross bar connection
83840 Stand complete (can be disassembled)
84145 Vertical extension approx 1.2 m stainless steel
86165 Adjustable air connection, SATA dry-jet
86140 Horizontal extension w/ third blow gun
123786 Cross connection, (complete), dry jet

Dry Jet Stand



Dry Jet Jumbo Stand



Errors, technical modifications and printing errors reserved.