

# ASO: The air flow giant.

At 60 Hz, the ASO delivers 15 900 l/min. When used with the appropriate accessories it can supply several Leister air heaters in parallel.

Medium pressure blower

## ASO



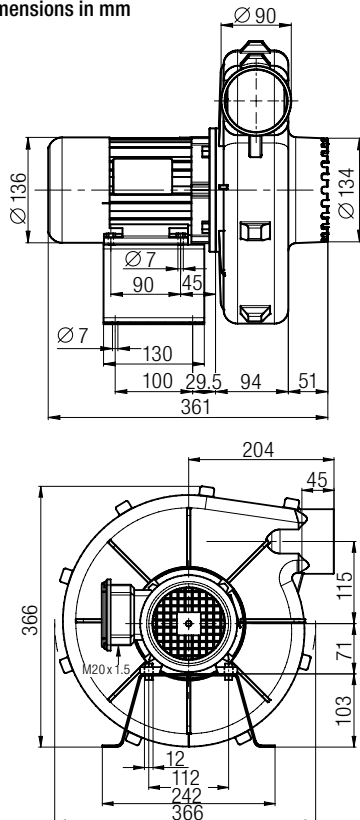
### Technical data ASO

Design: radial blower

Frequency	Hz	50	60
Air flow (20 °C)	l/min	13500	15900
Static pressure	kPa	1.6	2.4
Max. ambient temperature	°C	60	60
Max. air inlet temperature	°C	200	200
Noise emission level	dB (A)	70	70
Environmental protection (IEC 60529)		IP 54	IP 54
Outside diameter air inlet	mm	Ø 134	Ø 134
Outside diameter air outlet	mm	Ø 90	Ø 90
Weight	kg	15.0	15.0
Conformity mark		CE	CE
Protection class I		⊕	⊕

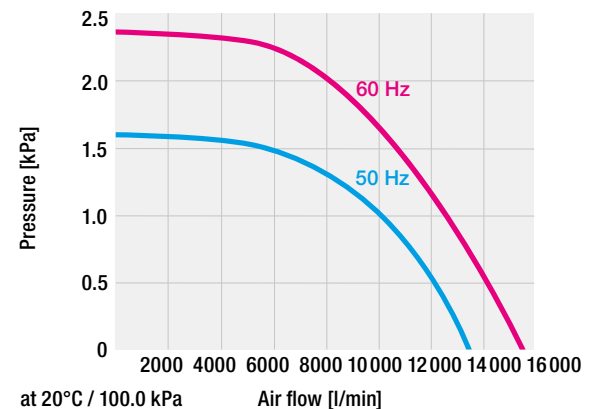
Can be controlled with FC (page 62), 20 – 60 Hz

### Installation dimensions in mm



Voltage	V ~ 50 Hz	1 x 230	3 x 230 / 400
	V ~ 60 Hz		3 x 440 – 480
Power consumption	W	550	550
<b>Without cable</b>	<b>Order no.</b>		<b>103.527</b>
<b>3 m cable / Euro plug</b>	<b>Order no.</b>	<b>103.530</b>	

Additional versions available on request



Accessories  