

# VULCAN SYSTEM: The clever muscle man.

The muscle man among the hot-air blowers leaves no doubts about its performance. It is compactly built and easy to integrate into industrial processes. Just as Leister's smaller hot-air blowers, VULCAN SYSTEM can be controlled remotely through a standard analog interface.

Hot-air blower

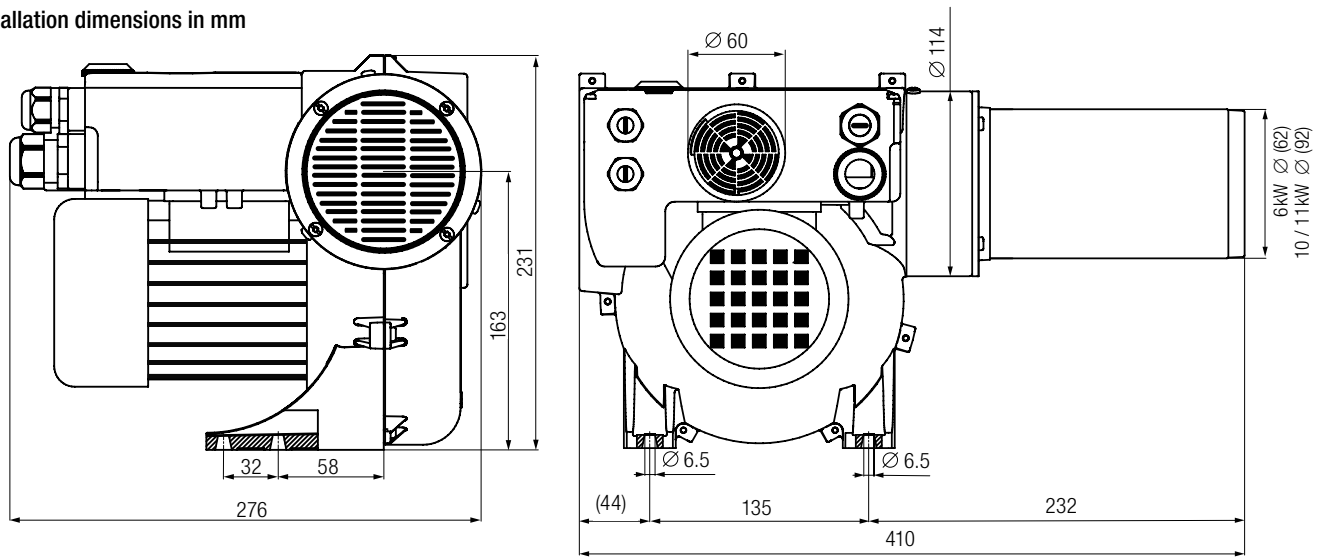
## VULCAN SYSTEM



Voltage	V~	3 x 230		3 x 400		3 x 480	
Power consumption	kW	6	10	6	11	6	11
Order no.		143.407	143.406	143.402	140.463	143.405	143.404



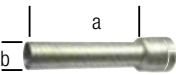

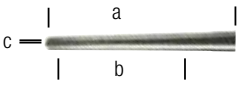
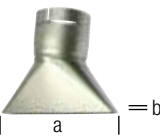
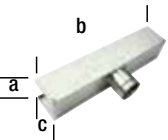
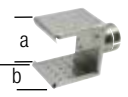


Technical Data VULCAN SYSTEM	Frequency	50 Hz	60 Hz
Heating power steplessly adjustable with potentiometer		•	
Standard control interface through a 4 - 20 mA or a 0 - 10 V signal		•	
Integrated power electronics		•	
Protection against heating element or device overheating		•	
Brushless blower motor with FC control		•	
Alarm output		•	
Integrated temperature control		•	
Integrated temperature probe		•	
Display for showing the setpoint and actual values		•	
Max. air outlet temperature °C		650	
Max. air flow l/min (20 °C) 3 x 230 V~		850	1500
Max. air flow l/min (20 °C) 3 x 400 V~ / 3 x 480 V~		950	1700
Static pressure kPa		3.1	4.0
Noise emission level db (A)		65	
Weight (kg)		9.3	
Conformity mark		CE	
Protection class I		⊕	
Safety standard		Ⓢ	

Installation dimensions in mm






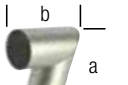
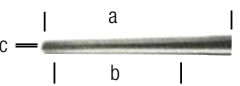

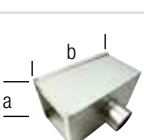



## Accessories VULCAN SYSTEM

6 kW ( $\varnothing$  62 mm)

	<b>125.317</b> Flange connector, push-fit a = 90 mm
	<b>107.245</b> Round nozzle, push-fit d = 40 mm
	<b>107.247</b> Extension nozzle, push-fit (a x b) 200 x 45 mm
	<b>107.265</b> Angled nozzle, push-fit (a x b) shank length 120 x 115, $\varnothing$ 62 mm
	<b>105.907</b> Tubular nozzle, push-fit (a x b x c) 354 x 204 x 4.5 mm <b>105.919</b> 456 x 306 x 3 mm <b>107.253</b> 700 x 550 x 1.7 mm <b>114.136</b> 795 x 655 x 1.5 mm <b>105.906</b> 1100 x 1000 x 4 mm
	<b>107.260</b> Wide slot nozzle, push-fit (a x b) 85 x 15 mm <b>107.259</b> 150 x 12 mm <b>105.977</b> 200 x 9 mm <b>107.263</b> 250 x 12 mm, with sieve insert <b>107.262</b> 300 x 4 mm <b>105.992</b> 400 x 4 mm <b>105.991</b> 500 x 4 mm
	<b>107.342</b> Shell reflector, push-fit 50 x 400 x 80 mm (a x b x c) <b>106.174</b> 65 x 400 x 95 mm <b>106.175</b> 80 x 400 x 80 mm
	<b>106.143</b> Sieve reflector, push-fit (a x b) 45 x 75 mm <b>107.329</b> 70 x 75 mm <b>107.336</b> 110 x 152 mm
	<b>107.335</b> Sieve reflector, push-fit $\varnothing$ 150 mm
	<b>107.277</b> Stainless steel filter, push-fit on air intake

## Accessories VULCAN SYSTEM

10/11 kW ( $\varnothing$  92 mm)

	<b>125.318</b> Flange connector, push-fit a = 120 mm
	<b>107.244</b> Round nozzle, push-fit d = 50 mm
	<b>107.273</b> Extension nozzle, push-fit (a x b) 500 x 60 mm
	<b>107.269</b> Angled nozzle, push-fit (a x b) shank length 175 x 175 mm
	<b>106.031</b> Tubular nozzle, push-fit (a x b x c) 1000 x 800 x 2 mm <b>106.035</b> 1185 x 900 x 1.6 mm <b>107.268</b> 1288 x 1000 x 1.5 mm <b>106.033</b> 1550 x 1350 x 1.1 mm
	<b>107.274</b> Wide slot nozzle, push-fit (a x b) 130 x 17 mm <b>106.028</b> 220 x 12 mm <b>107.272</b> 300 x 12 mm <b>106.018</b> 400 x 10 mm <b>106.024</b> 500 x 7 mm <b>107.267</b> 500 x 15 mm <b>106.023</b> 600 x 4 mm <b>106.026</b> 600 x 9 mm
	<b>107.341</b> Shell reflector, push-fit (a x b) 160 x 370 mm
	<b>107.276</b> Sieve reflector, push-fit $\varnothing$ 260 mm
	<b>107.277</b> Stainless steel filter, push-fit on air intake
	<b>133.517</b> Thermocouple holder